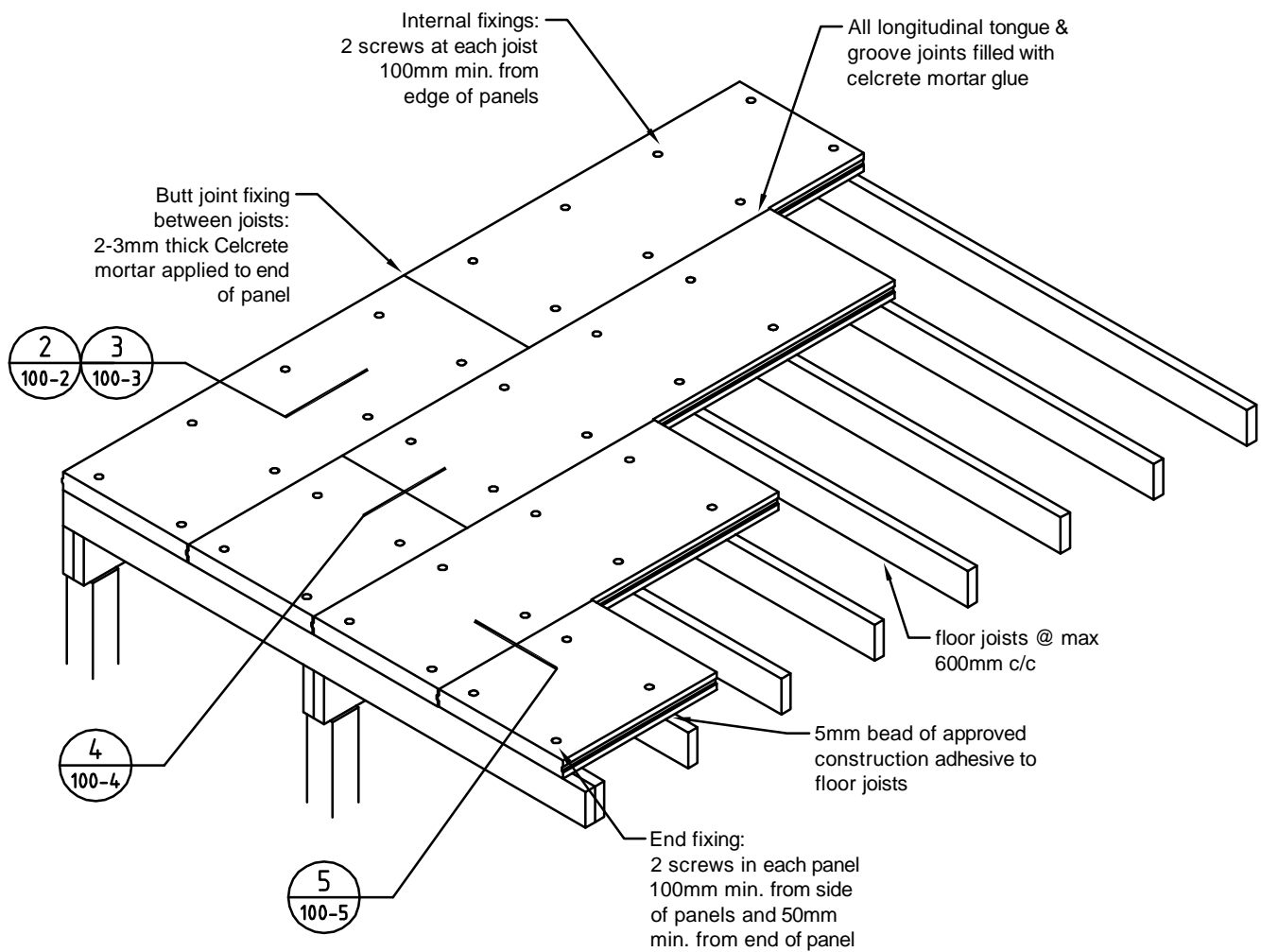
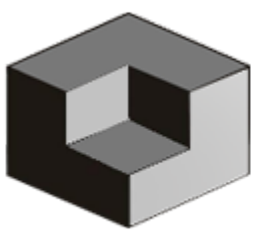


CELCRETE

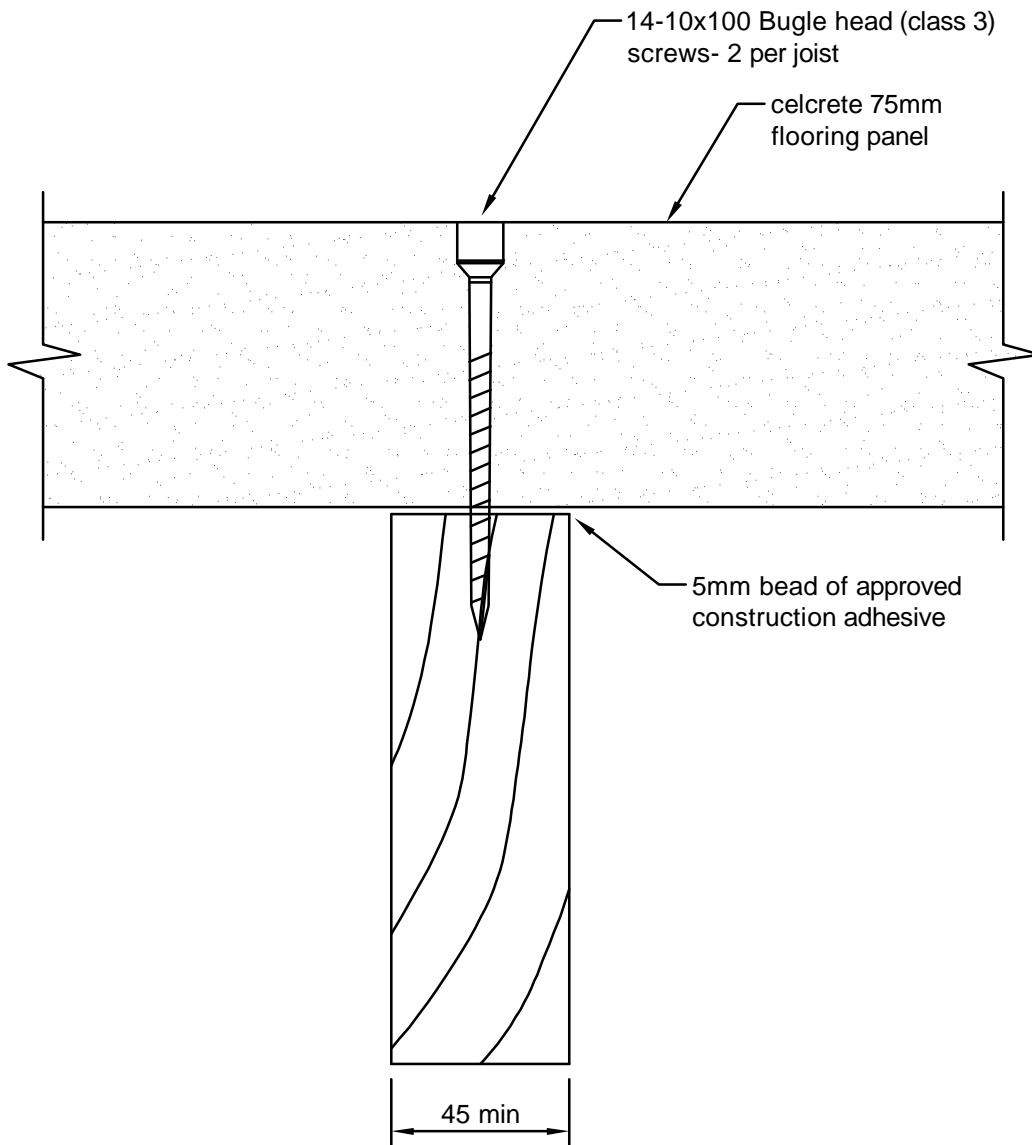


TYPICAL PANEL FIXING ARRANGEMENT

CAD REF 100-1
SCALE 1:25

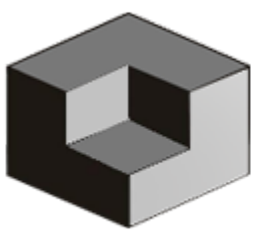


CELCRETE

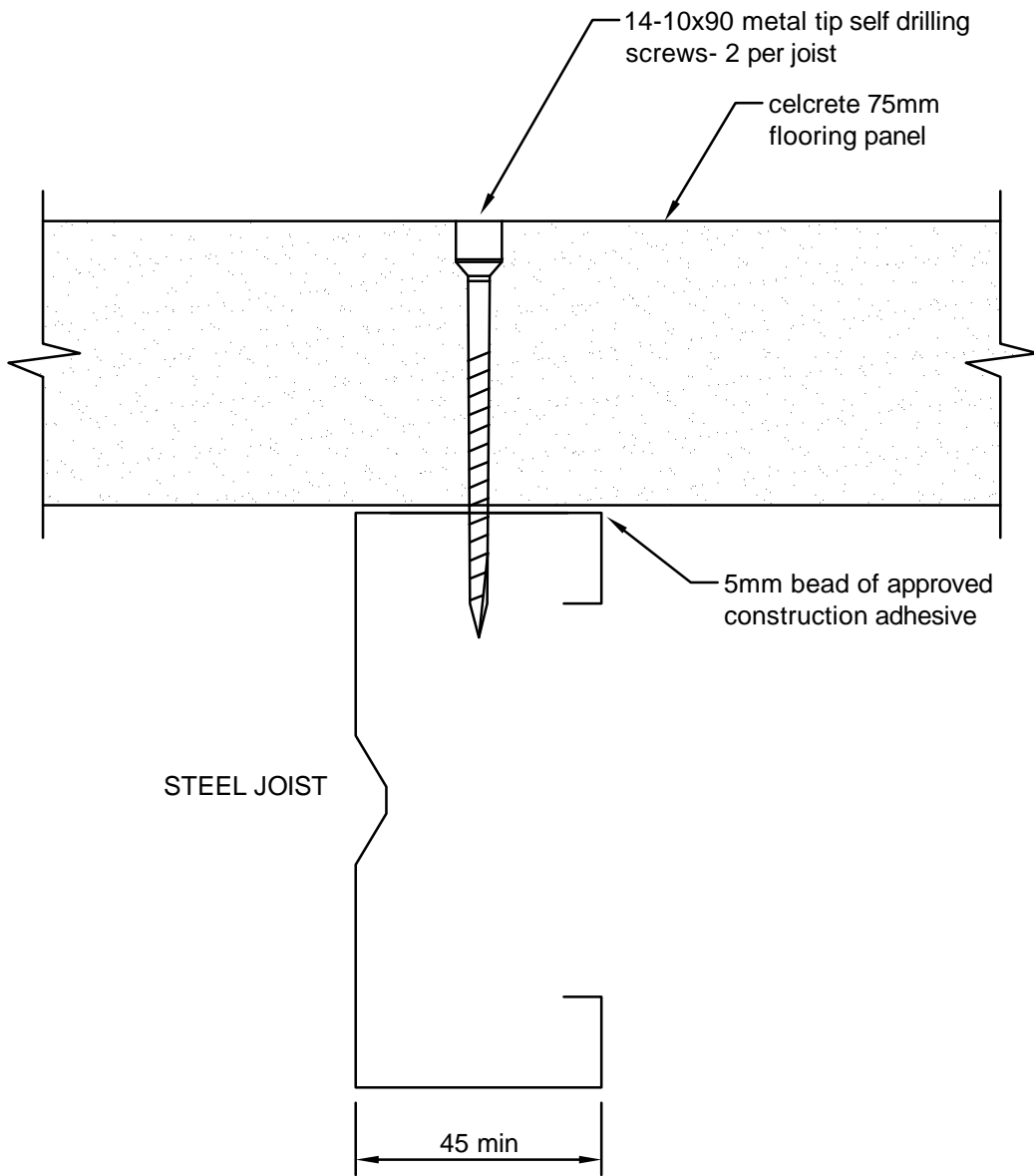


TYPICAL FLOOR JOIST FIXING - DETAIL 2

CAD REF 100-2
SCALE 1:2

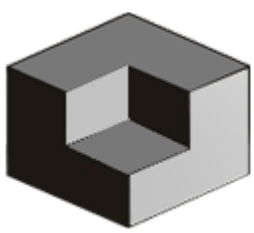


CELCRETE

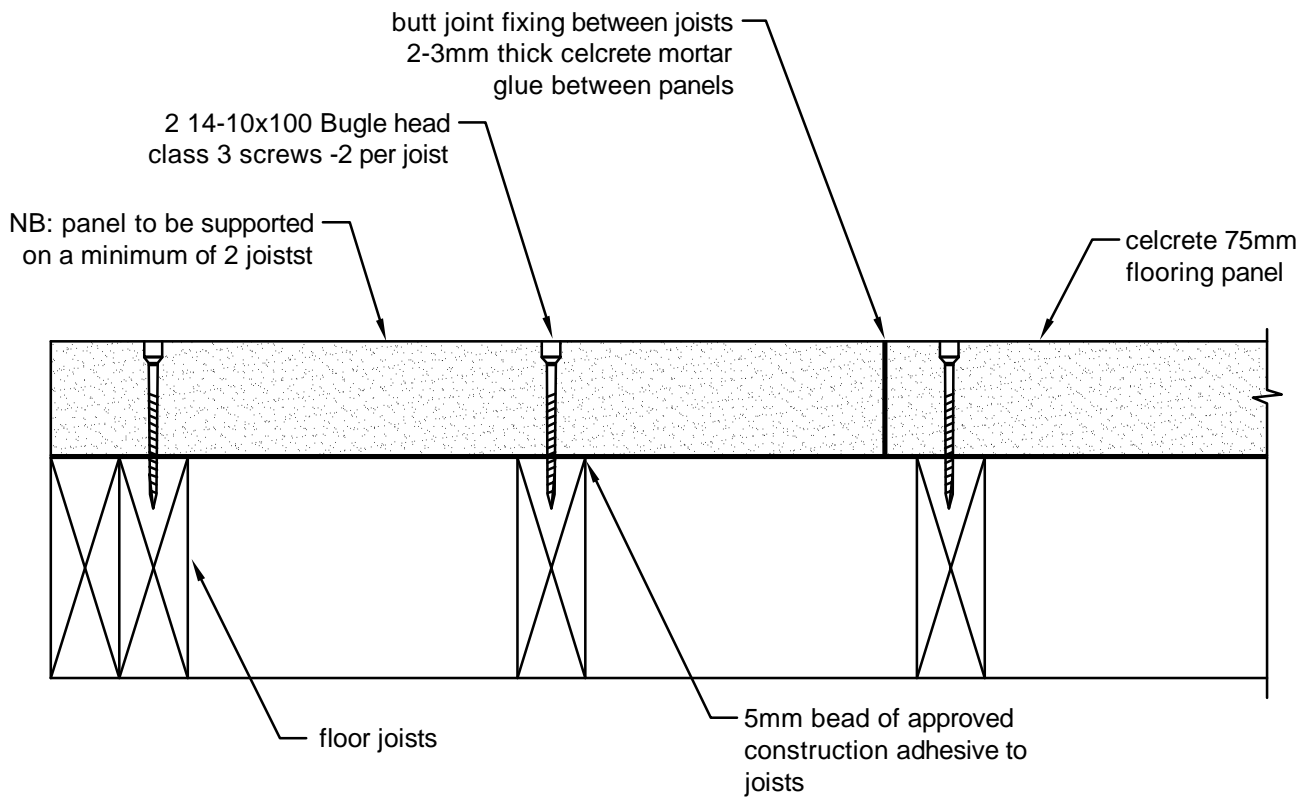


TYPICAL STEEL FLOOR JOIST FIXING DETAIL 3

CAD REF 100-3
SCALE 1:2

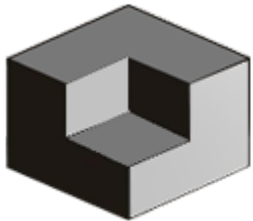


CELCRETE

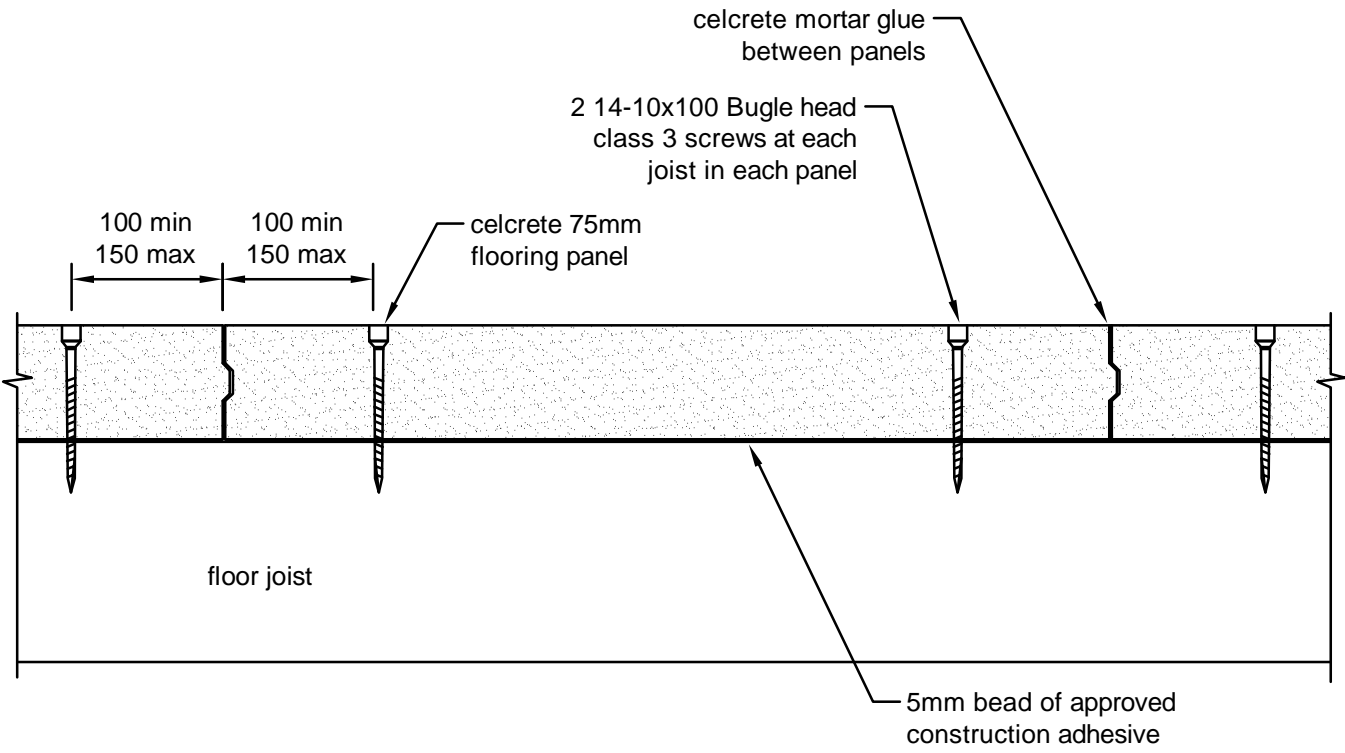


SECTION THROUGH PANELS - DETAIL 4

CAD REF 100-4
SCALE 1:5

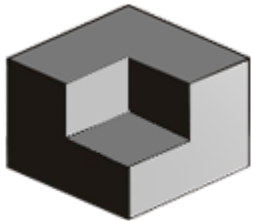


CELCRETE

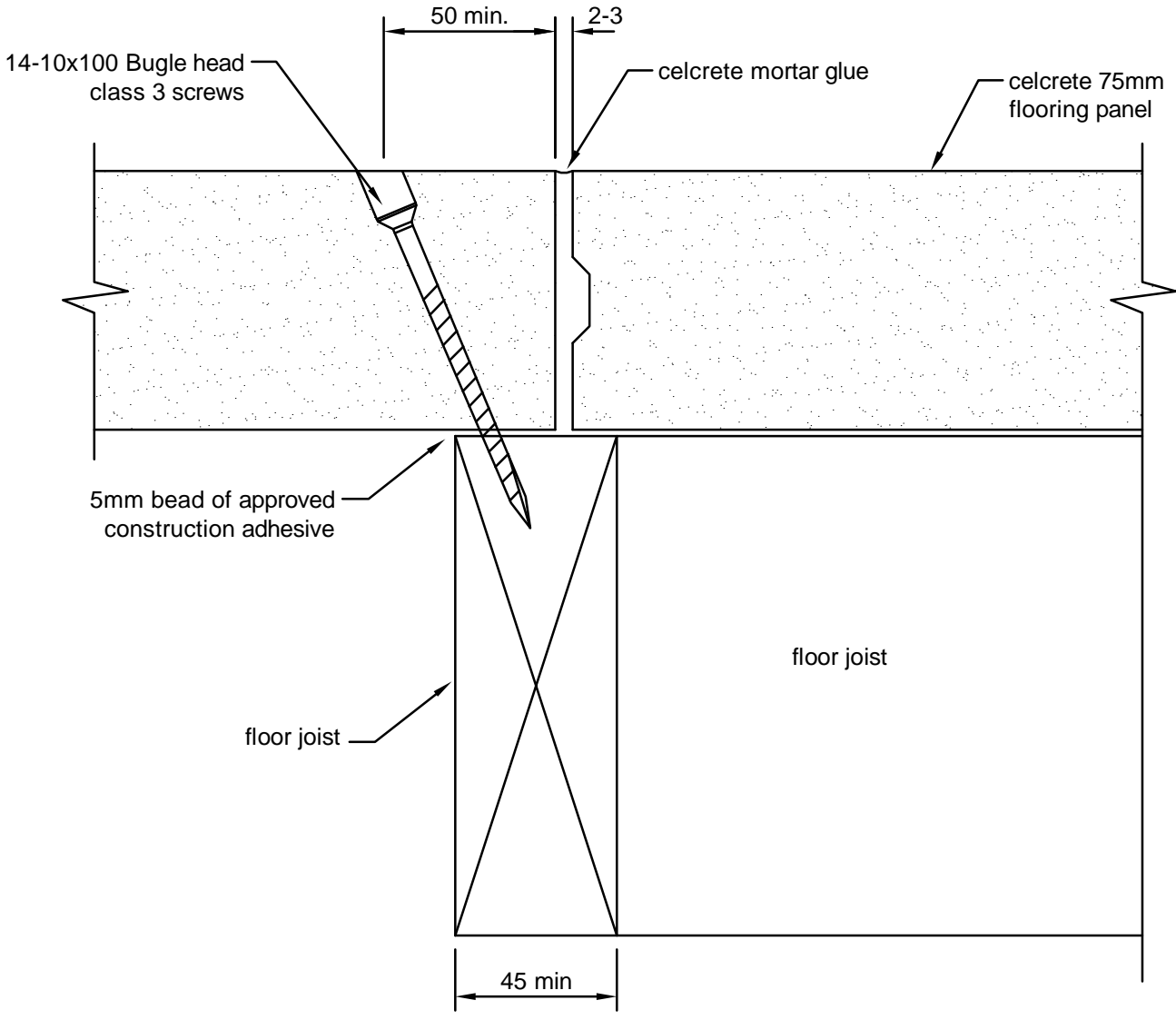


TYPICAL PANEL INSTALLATION - DETAIL 5

CAD REF 100-5
SCALE 1:5

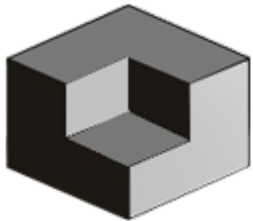


CELCRETE

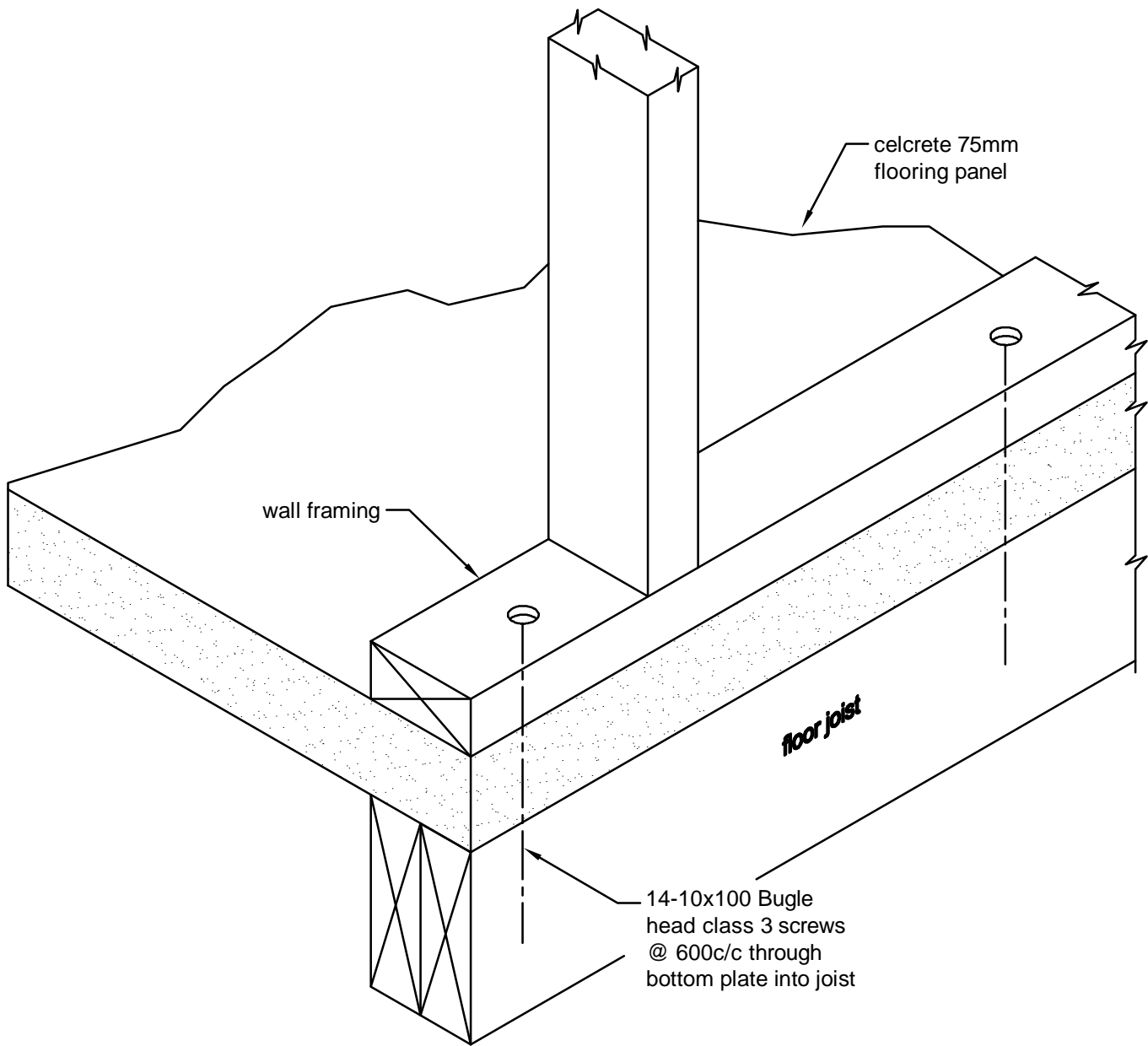


TYPICAL FLOOR JOIST DETAIL
CHANGE OF JOIST DIRECTION

CAD REF 100-6
SCALE 1:2

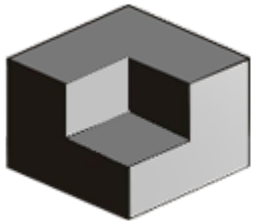


CELCRETE

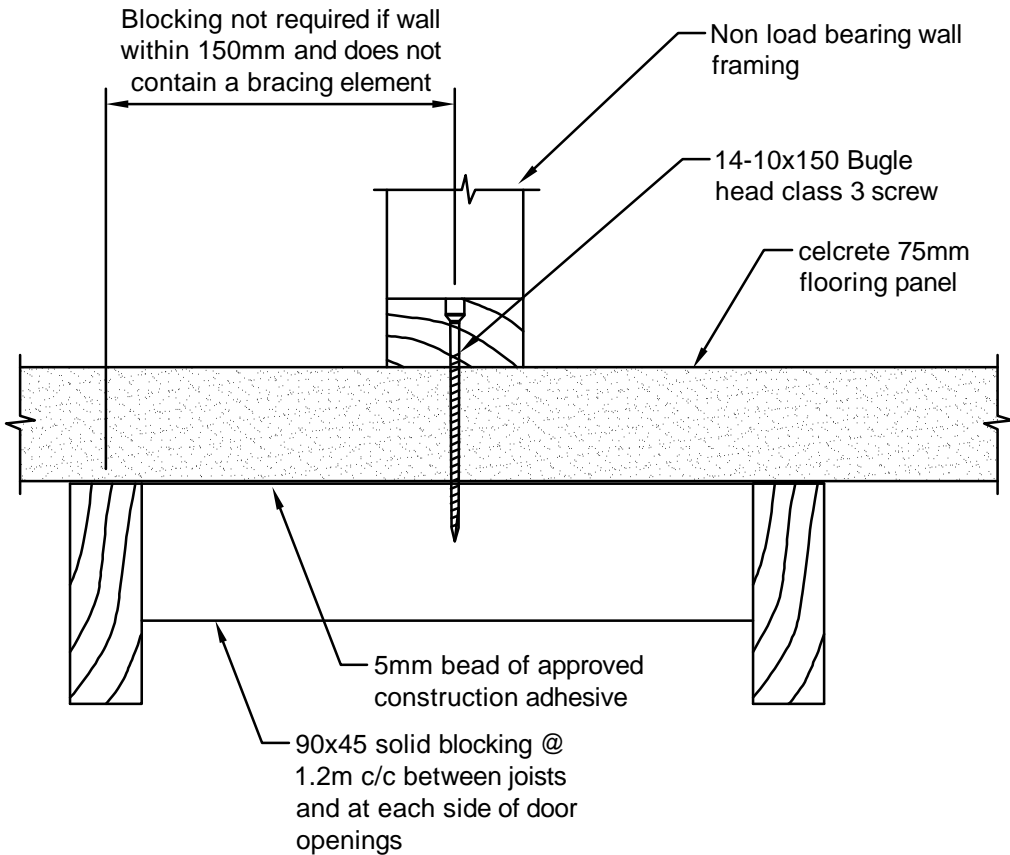


TYPICAL WALL FIXING DETAIL

CAD REF 101-1
SCALE 1:5

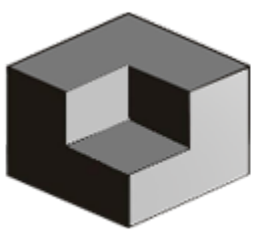


CELCRETE

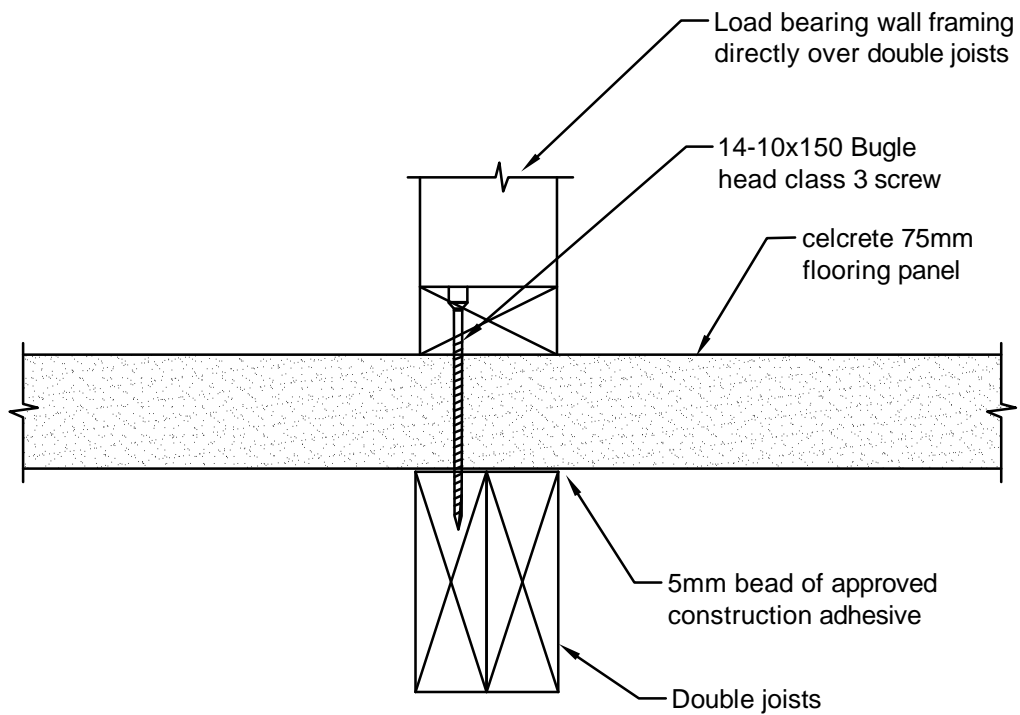


NON LOADBEARING WALL DETAIL

CAD REF 101-2
SCALE 1:5



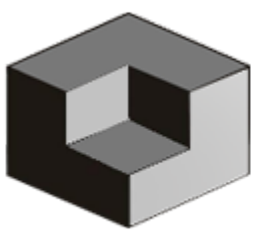
CELCRETE



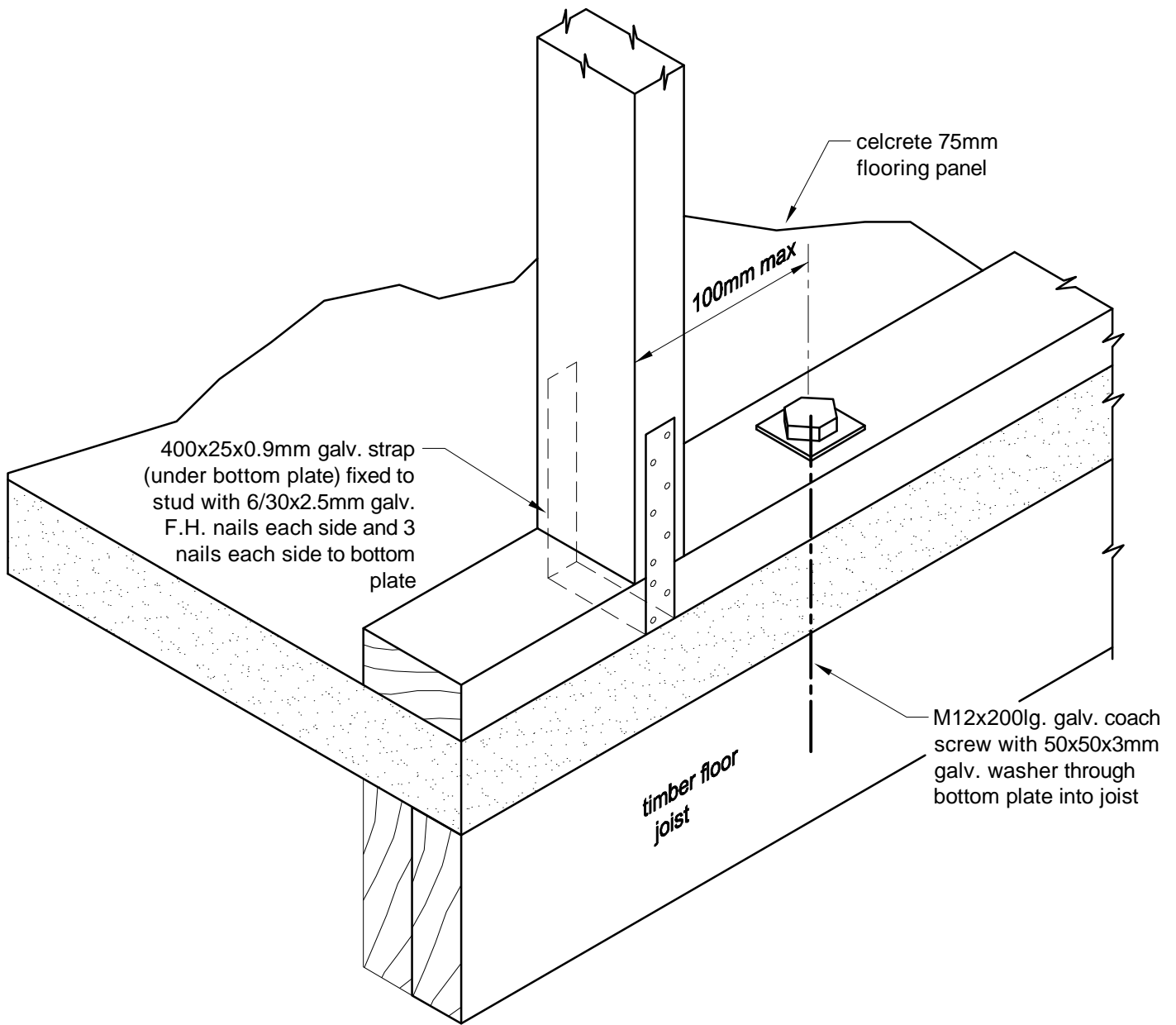
LOADBEARING WALL DETAIL

CAD REF 101-3

SCALE 1:5



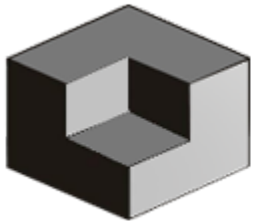
CELCRETE



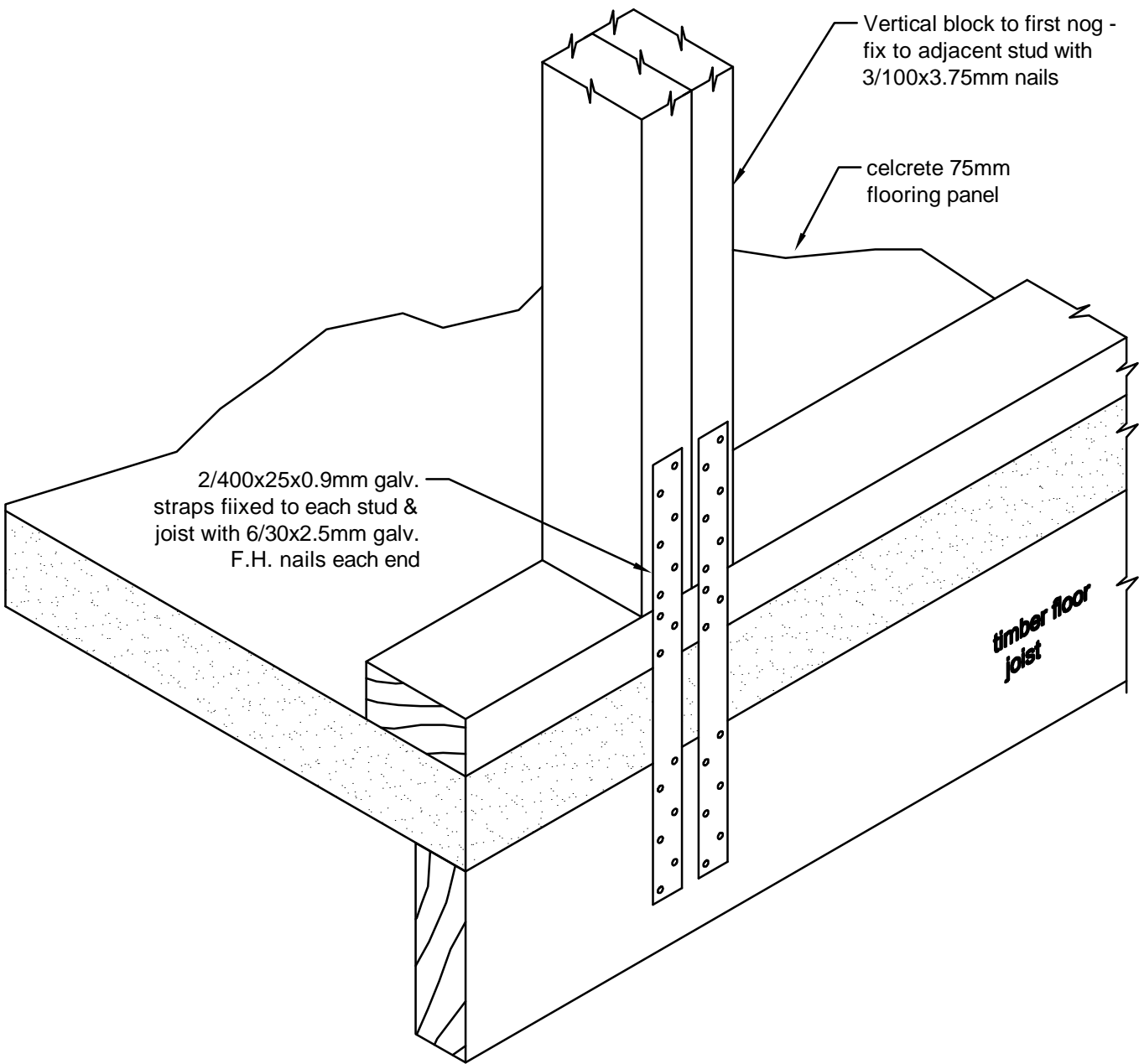
BRACE WALL FIXING DETAIL

CAD REF 101-4

SCALE 1:5

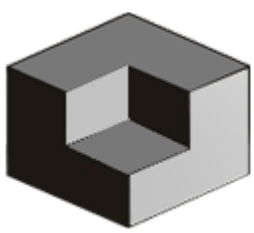


CELCRETE

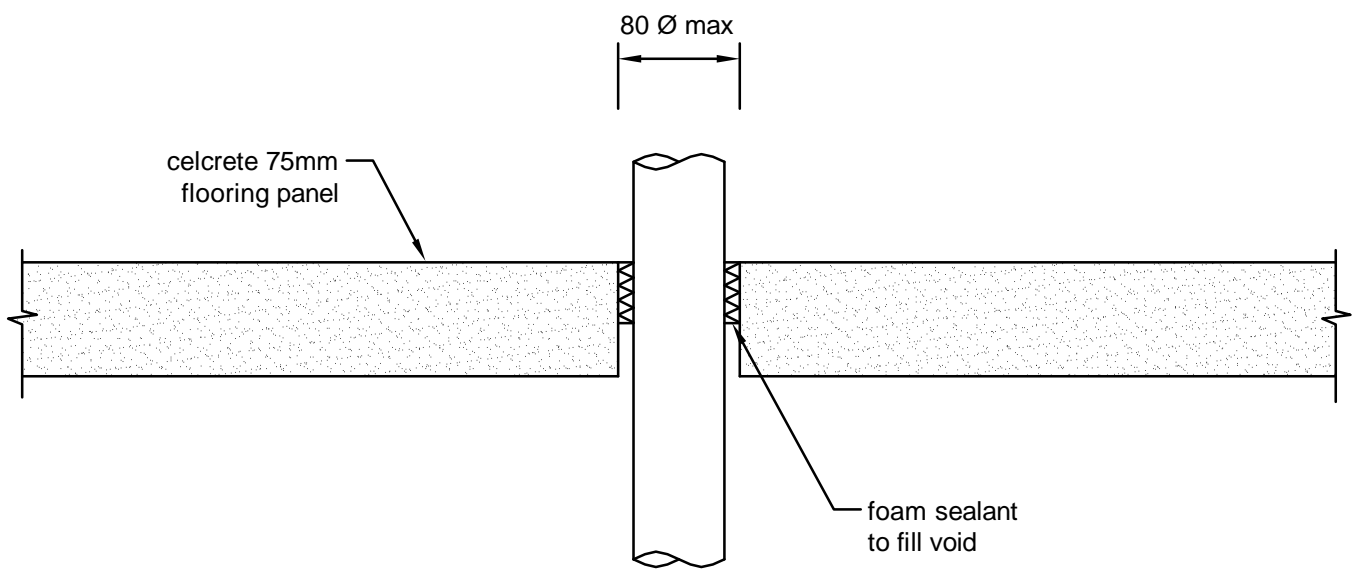


ALTERNATIVE BRACE WALL FIXING DETAIL

CAD REF 101-5
SCALE 1:5



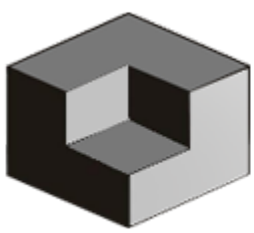
CELCRETE



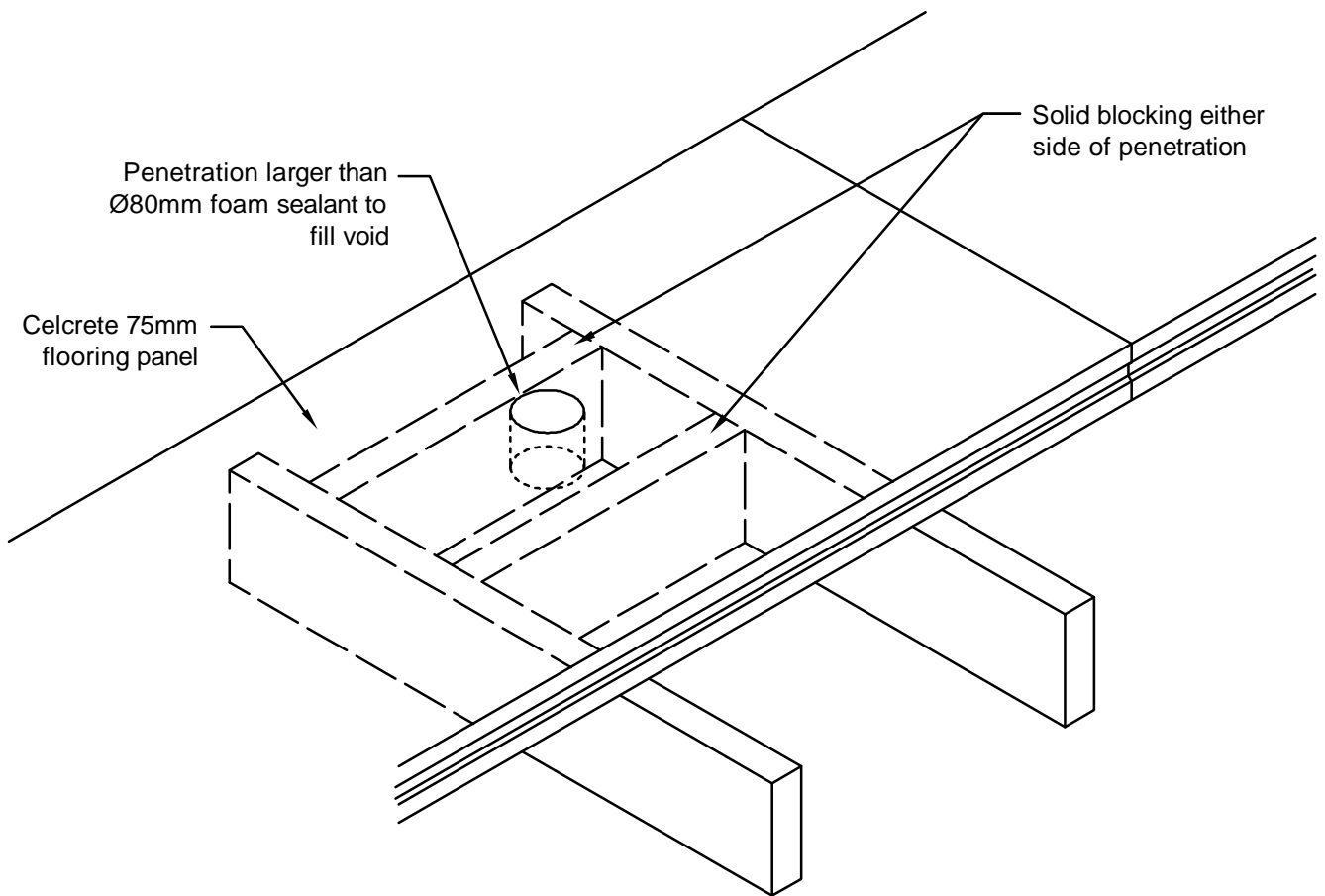
TYPICAL PENETRATION

CAD REF 102-1

SCALE 1:5

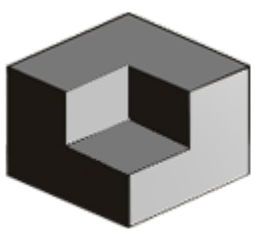


CELCRETE

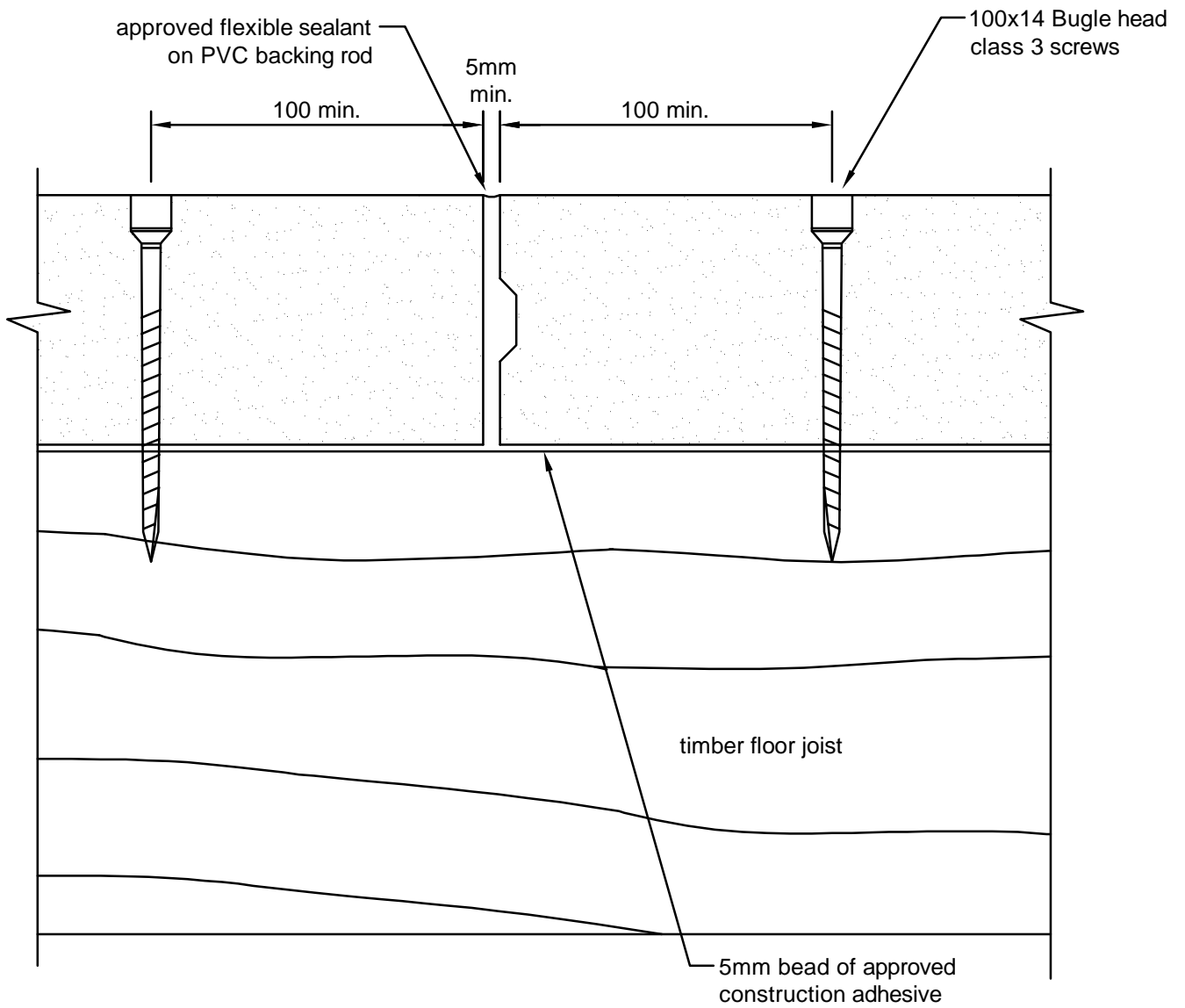


TYPICAL LARGE PENETRATION WITH BLOCKING

CAD REF 102-2
SCALE 1:10



CELCRETE



TYPICAL CONTROL JOINT

CAD REF 103-1
SCALE 1:2