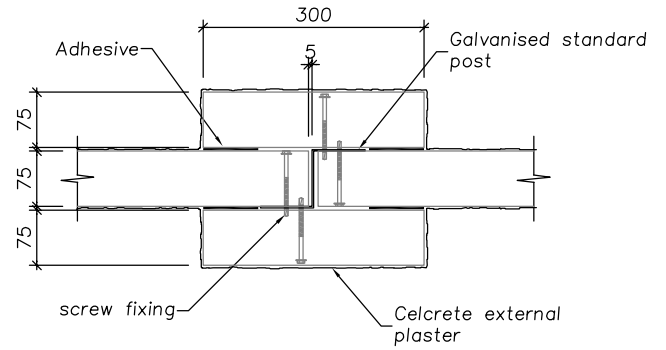


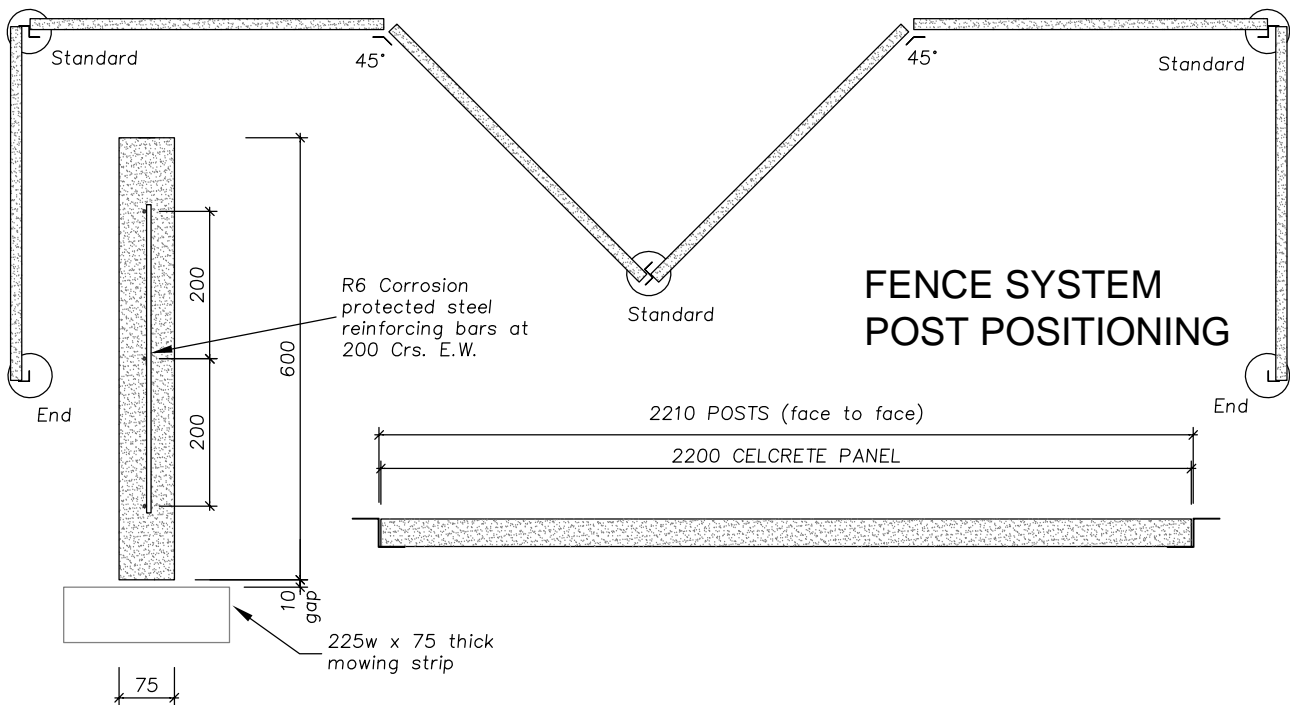
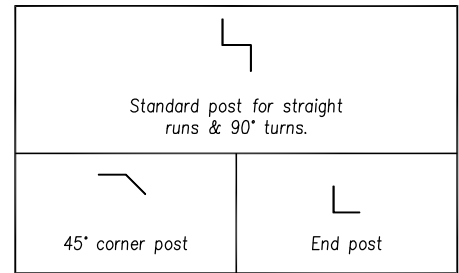
**ISOMETRIC VIEW OF
CELCRETE FENCE**



Section A

10mm gap between underside of panel & mowing strip – mulseal bottom edge of panel prior to installation

Post Styles



**FENCE SYSTEM
POST POSITIONING**

Section B